

## HV-Titan 3 Lighting specification

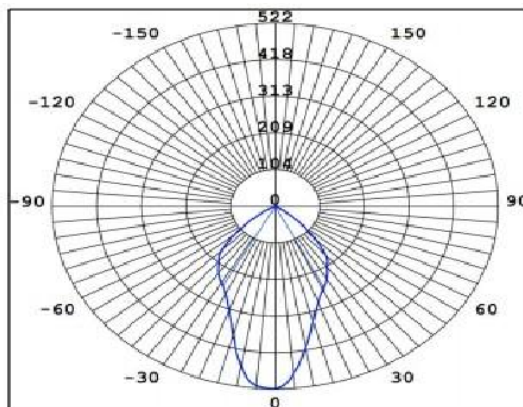


### Features:

1. Controlled with constant current IC Integrate driver, longer life span.
2. High lumen & CRI COB light source, no UV, heat radiation,
3. High efficiency, 60% energy saving compared with traditional LED lights.
4. Complete with 1.2 MI flex & plug
5. Beam angle 120°
6. Choose of silver or white finished color
7. Dimmable with trailing edge , universal , C-BUS
8. IP 44 AND FIRE RATED TESTED.

### Brightness Contrast View Angle

Height	average illumination	central illumination	spot diameter
1.50m	125.39lx	231.54lx	155.04cm
2.00m	70.53lx	130.24lx	206.72cm
4.00m	17.63lx	32.56lx	413.43cm
4.50m	13.93lx	25.73lx	465.11cm
6.00m	7.84lx	14.47lx	620.15cm



## Save \$25.2 Comparison Vs 50W Halogen

	YEAR COST	LIFE SPAN	WARRANTY	TEMPUATURE	GREEN HOUSE GASES
50W Halogen	\$31.5	1500HRS	NO WARRANTY	300°	1.25TONES
10 HV TITAN	\$6.3	40,000HRS	5 YEAR	45°	0.25TONES

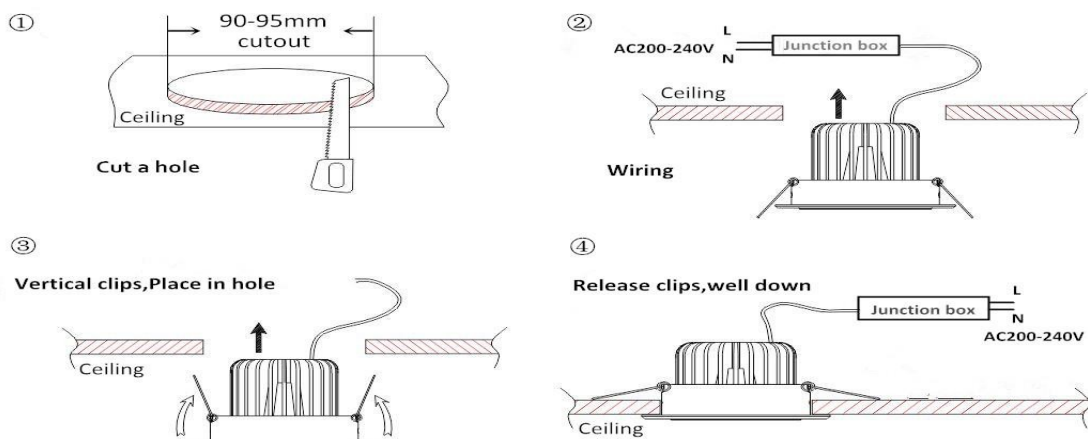
Based on current cost of electricity used at \$0.29KW/Hrs, running 6 hours per day,

## Specification

Model	HV Titan -DL-10W		
Wattage	10w		
Lumen	1050LM		
Light source	AC SMD		
Input Voltage	AC240V Dimmable		
CRI	>Ra82		
PF	>0.95		
CCT	3000K	4000K	5000K
Beam angle	120 degree(Frost)		
Lamp housing	Aluminum		
Lamp size	Dia108*52mm, 90-95mm cutout		
Operation Temp	-20-45°C		
Lifetime	40000hrs		
Certification	SAA--GMA 502059		

## Installation

HV – Titan Lighting AC led down light can connect with AC200-240V directly:



**NOTE: MUST install by licensed electrician**